

CEPRO DIAMOND SHEET WALL SYSTEM



COMPOSITION

For steel basic system parts:

- Carbon steel profiles, powder coated.
- Contain no toxic parts.
- Contain no inflammable parts.
- Contain no electrical parts.

USE AND HANDLING

Coating will be damaged by open fire or intensive heat. Oil or grease pollution do not have negative effects on the screens condition.

MAINTENANCE AND SAFETY

Bolts must be periodic checked. When assemble, take care of a flat and stable surface. The structure is stabilized by attachment to a wal or floor, l or by the use of corner arrangements.

TECHNICAL SPECIFICATION

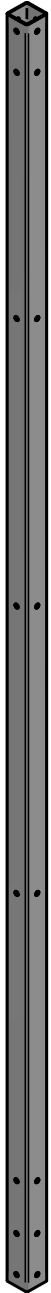
Type screen	: Solid separation screen.
Total weight	: basic screen (0.44 x 2m) : 13kg.
Total weight	: basic screen (0.94 x 2m) : 26 kg.
Overall size height	: Poles 2160 mm, basic screen 2000mm
Width	: 440 or 960mm.
Materials	: Steel profiles, power coated in grey, RAL7035.
Inlay	: no
Sound reduction	: not applicable
Operation	: Manufactured in factory, easy to assemble and re-assemble on site.

CEPRO DIAMOND SHEET WALL SYSTEM



DIAMOND PLATE SYSTEM PARTS

99.30.05.3404
Cap 40 x 40 mm
black



45.70.20.2160
Pole
40 x 40 x 2 mm
L=2160 mm

86.99.15.0036
Cap 100 x 40 mm
black



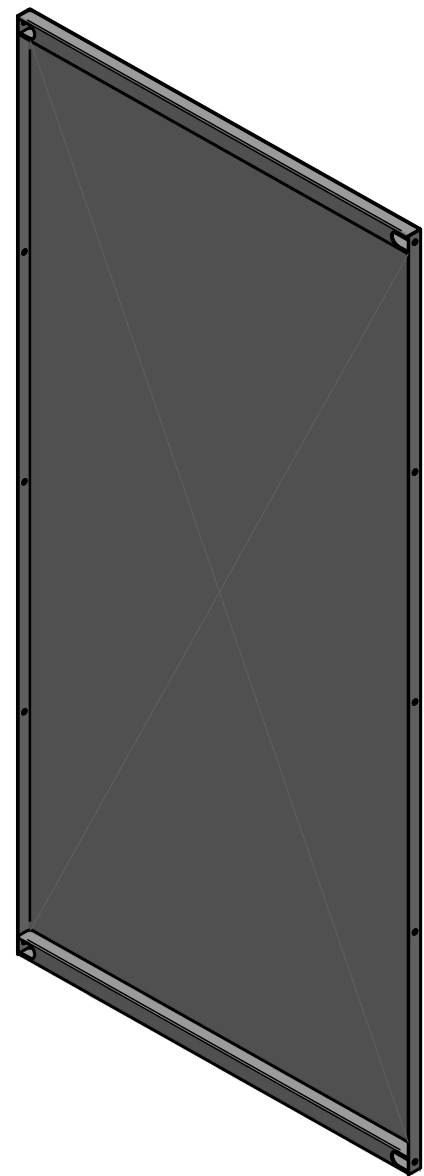
45.70.21.2160
Pole
100 x 40 x 2 mm
L=2160 mm



45.70.99.0007
Ratchet wrench
13 mm



45.70.10
Foot
35 x 50 x 110 mm
(d=3 mm)

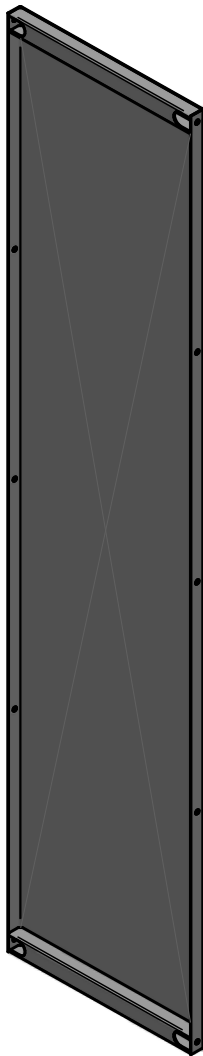


45.70.01.2010
Diamondplate
940 x 2000 x 30 mm

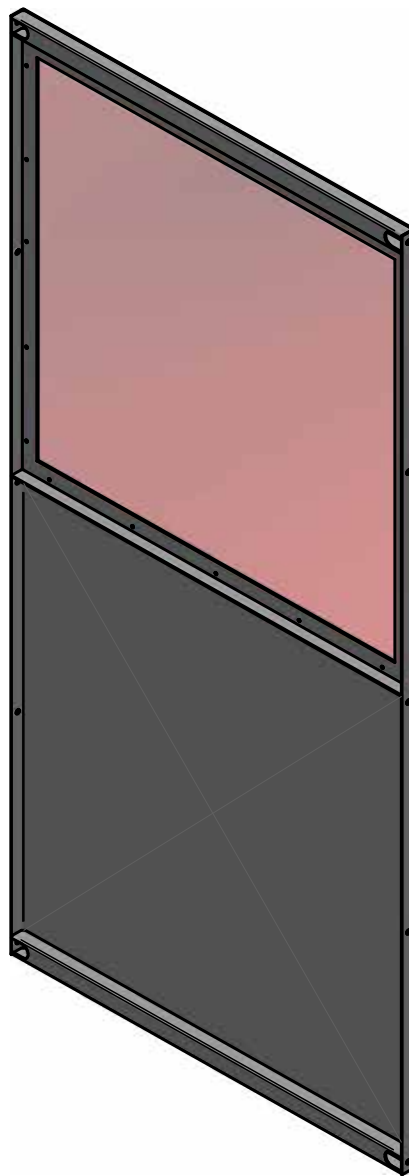
CEPRO DIAMOND SHEET WALL SYSTEM



DIAMOND PLATE SYSTEM PARTS



45.70.01.2005
Diamondplate
440 x 2000 x 30 mm

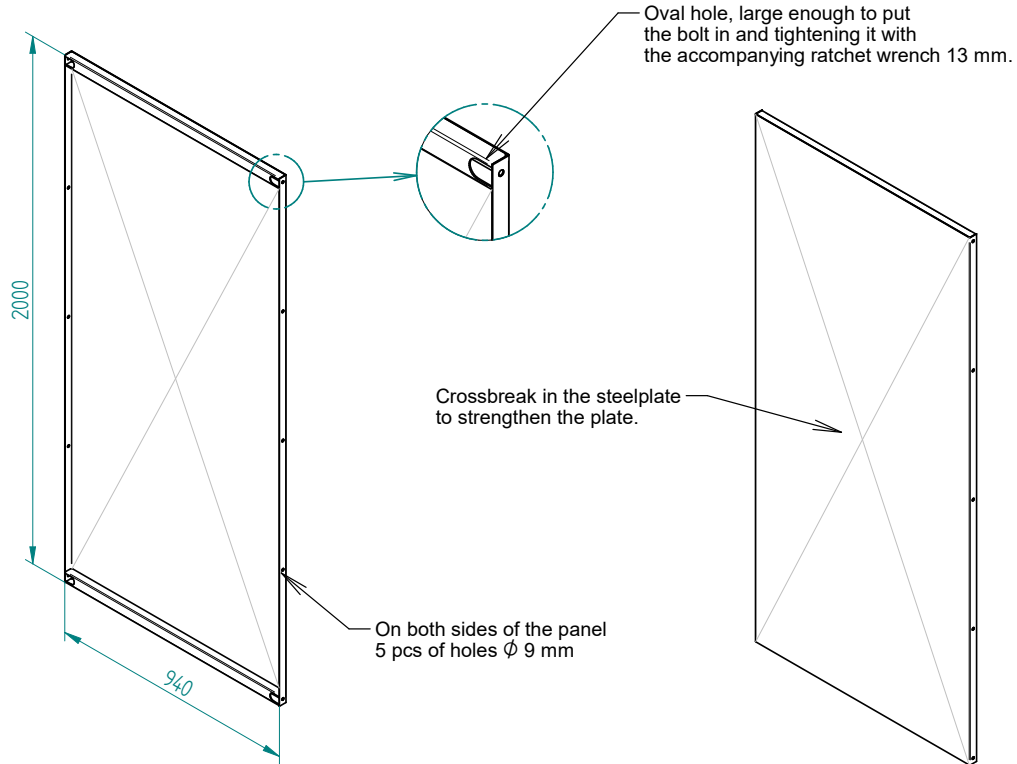


45.70.03.2010
Diamondplate
940 x 2000 x 30 mm
with window

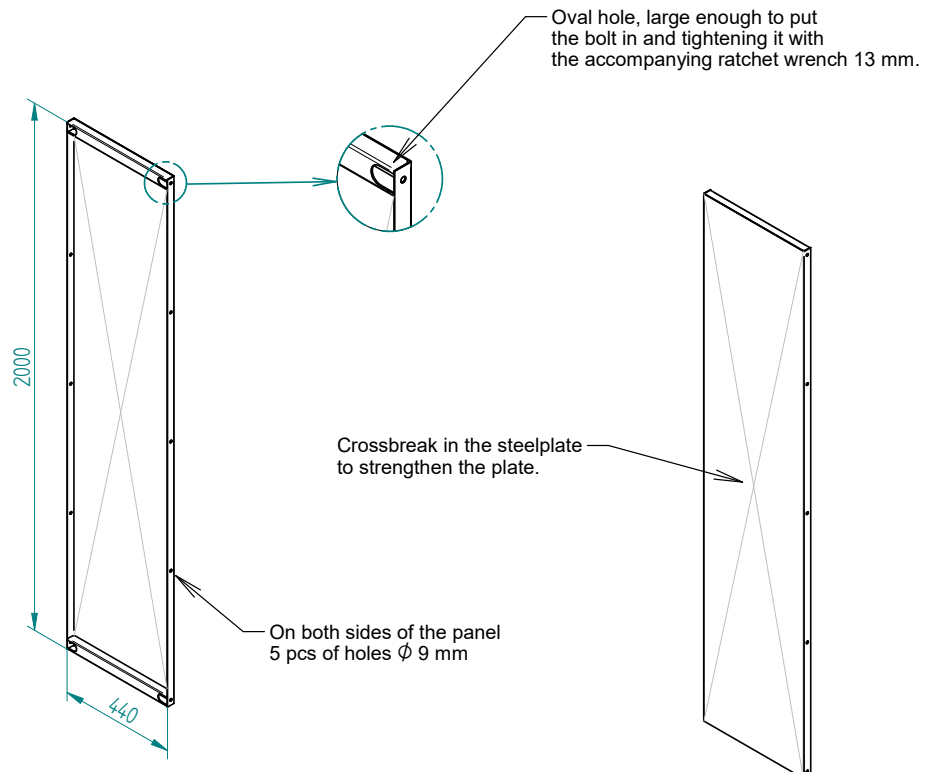
CEPRO DIAMOND SHEET WALL SYSTEM



DETAILS DIAMOND PLATE SYSTEM PARTS



47.70.01.2010 Diamond plate wall element 940 mm wide

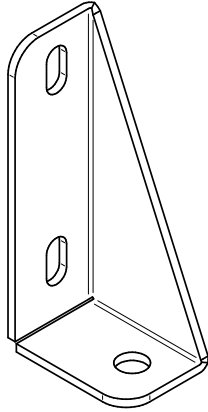


47.70.01.2005 Diamond plate wall element 440 mm wide

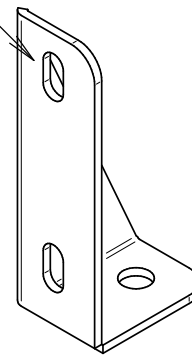
CEPRO DIAMOND SHEET WALL SYSTEM



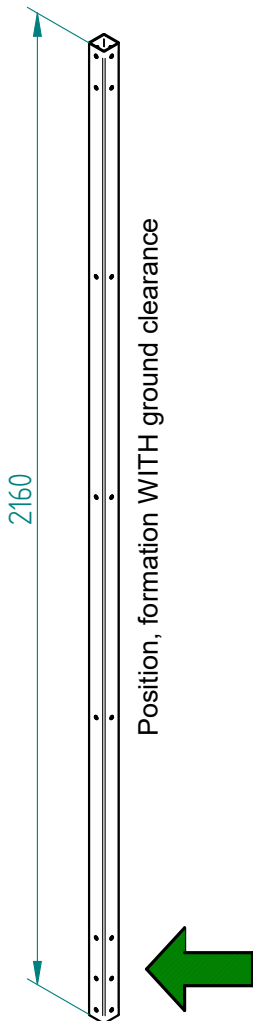
DETAILS DIAMOND PLATE SYSTEM PARTS



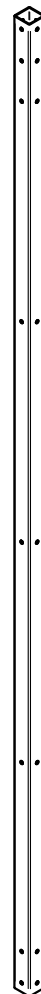
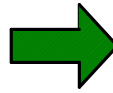
Oval hole for adjustment on the pole.
To absorb small bumps in the floor.
Maximum adjustment is 8 mm.



45.70.10 Diamond plate foot 35x50x110mm



Position, formation WITH ground clearance



Position, formation WITHOUT ground clearance

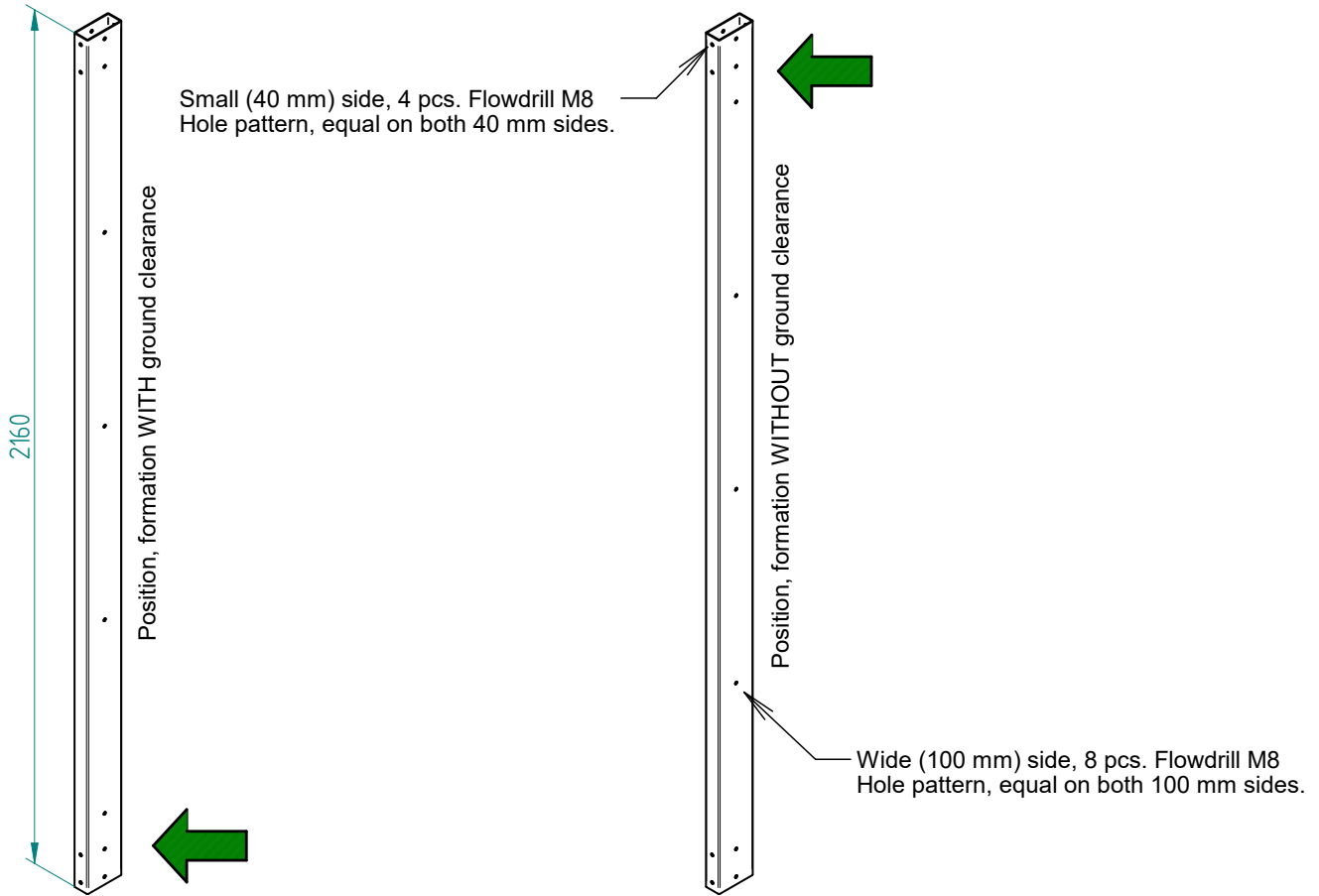
Per side, 8 pcs. Flowdrill M8
Hole pattern equal on all 4 sides

45.70.20.2160 Diamond plate connection pole 40x40x2mm, height 2.160mm

CEPRO DIAMOND SHEET WALL SYSTEM



DETAILS DIAMOND PLATE SYSTEM PARTS

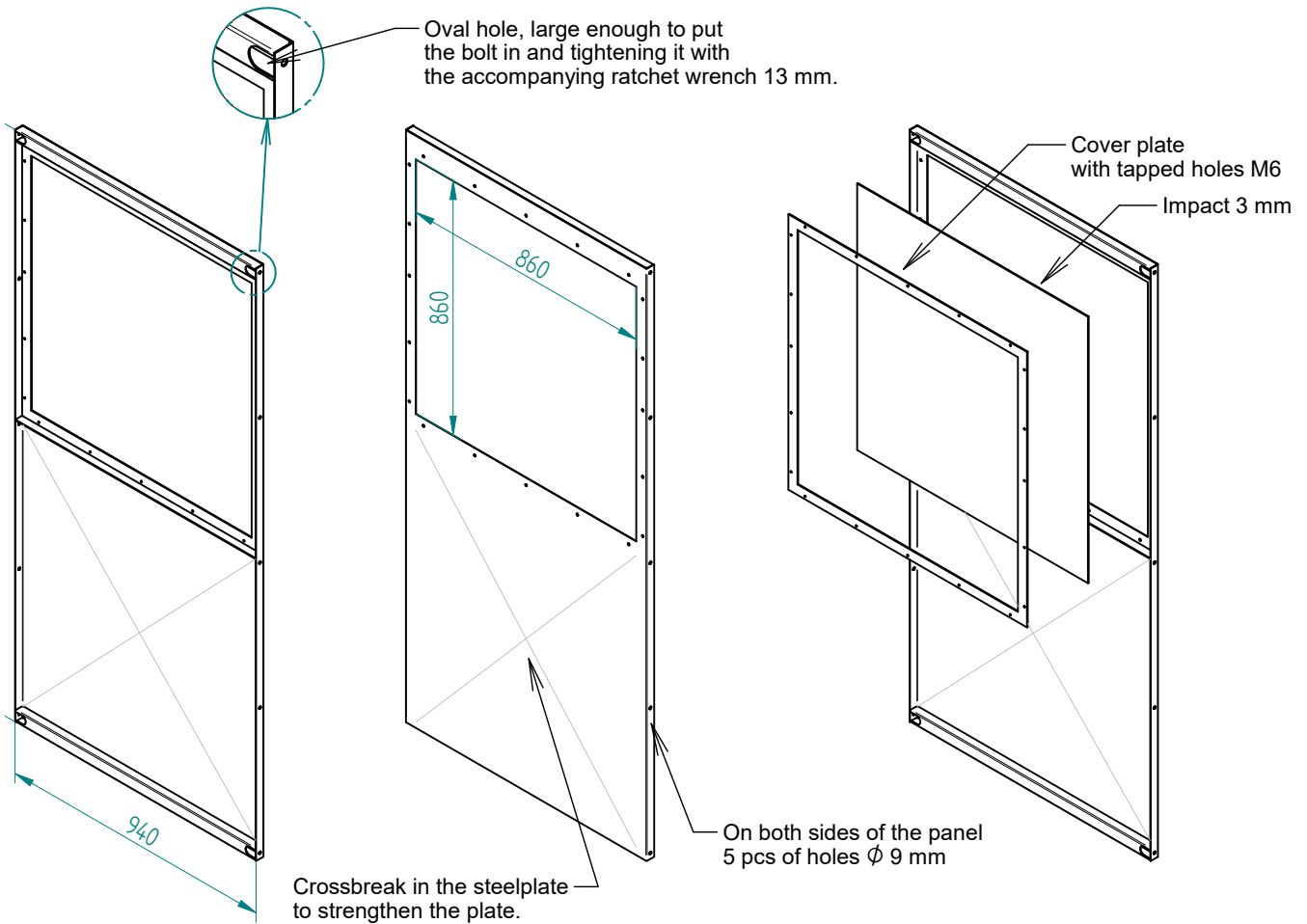


45.70.21.2160 Diamond plate connection pole 100x40x2mm, height 2.160mm

CEPRO DIAMOND SHEET WALL SYSTEM



DETAILS DIAMOND PLATE SYSTEM PARTS

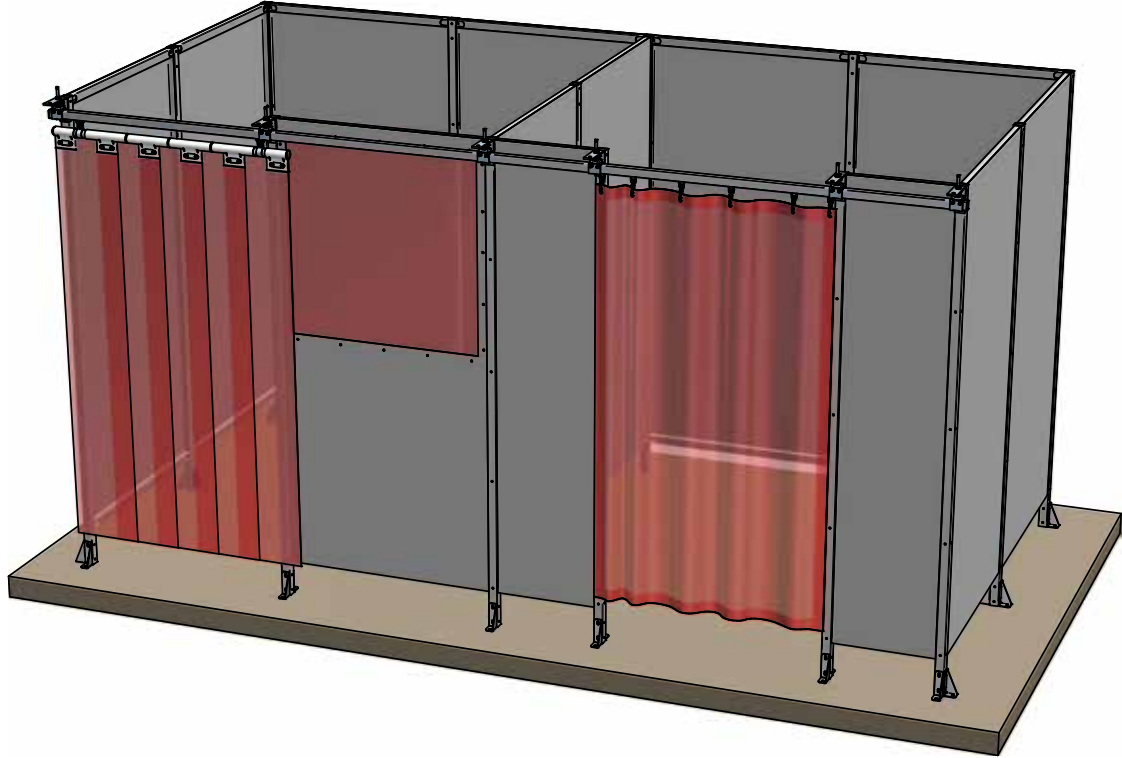


45.70.03.2010 Diamond plate wall element 940x100x30mm, with Cepro Impact window

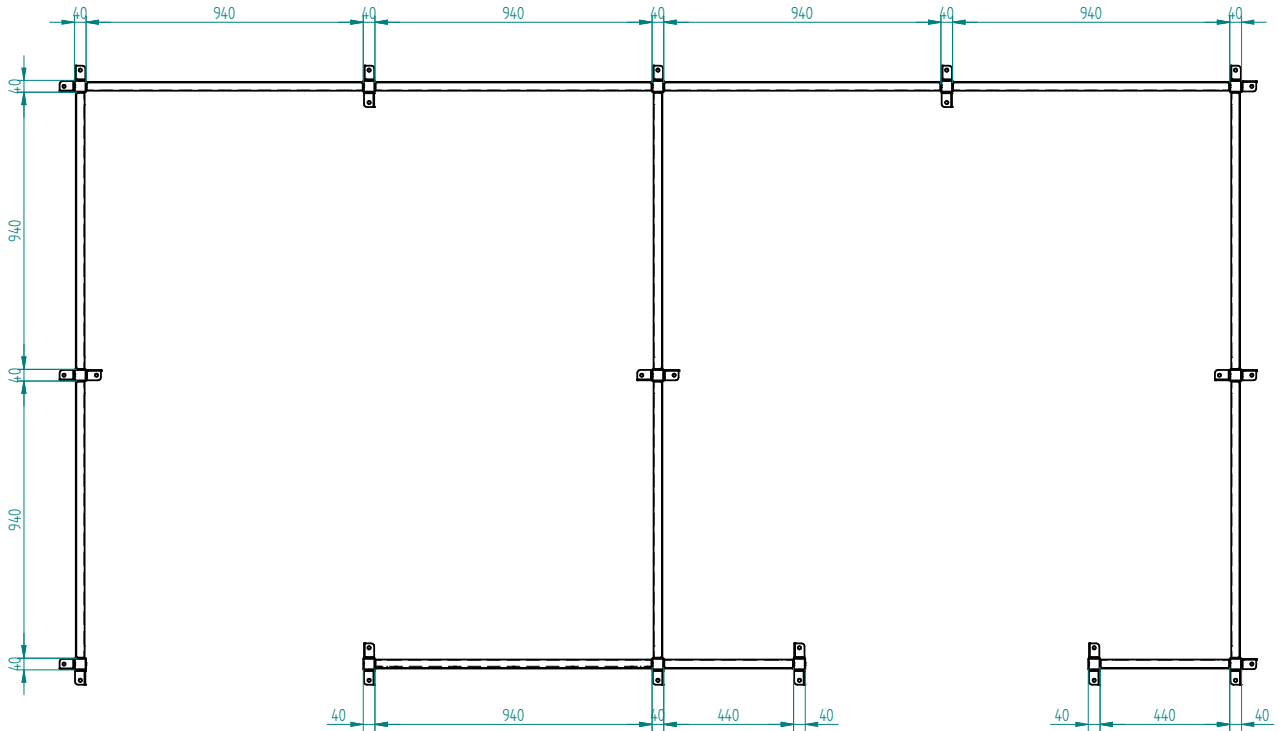
CEPRO DIAMOND SHEET WALL SYSTEM



EXAMPLE W-CABIN SYSTEM WITH DIAMOND PLATE WALL ELEMENTS



Front view

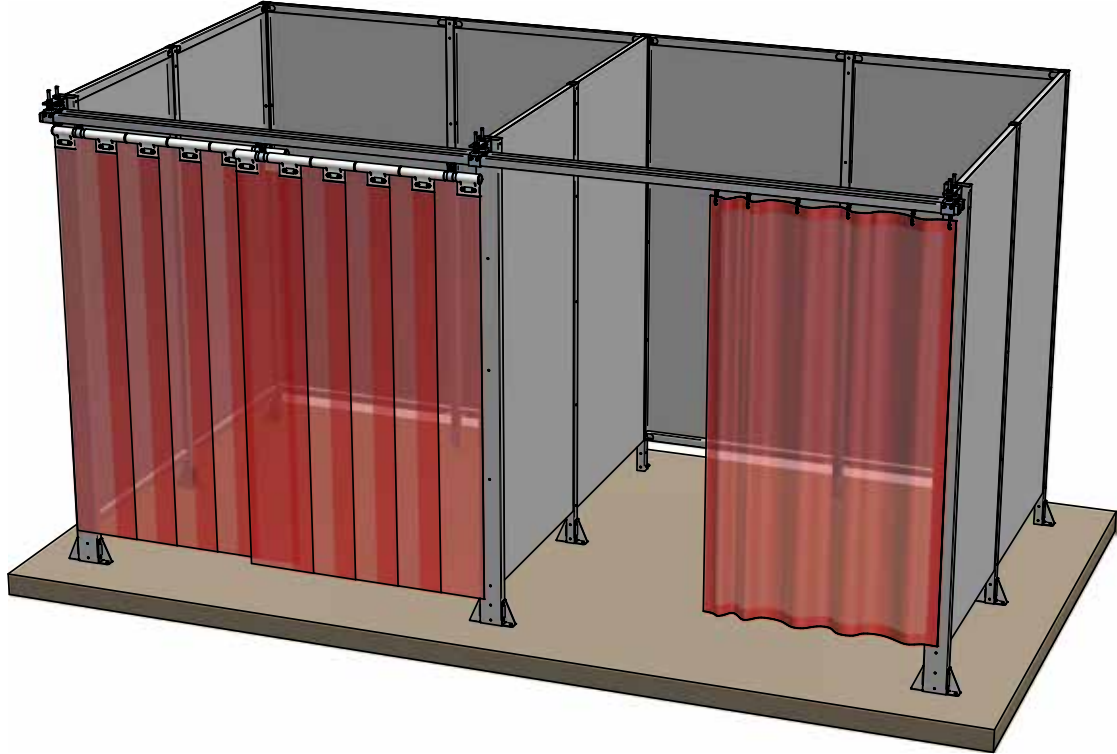


Top view

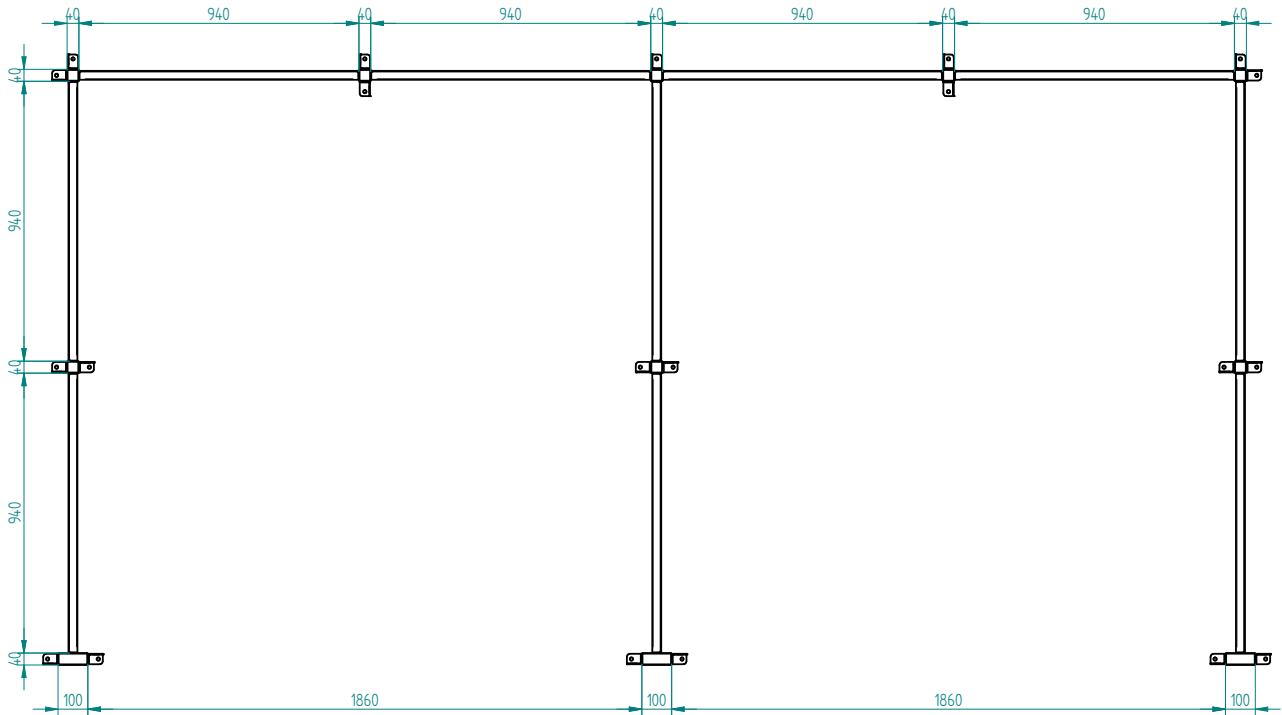
CEPRO DIAMOND SHEET WALL SYSTEM



EXAMPLE W-CABIN SYSTEM WITH DIAMOND PLATE WALL ELEMENTS



Front view



Top view

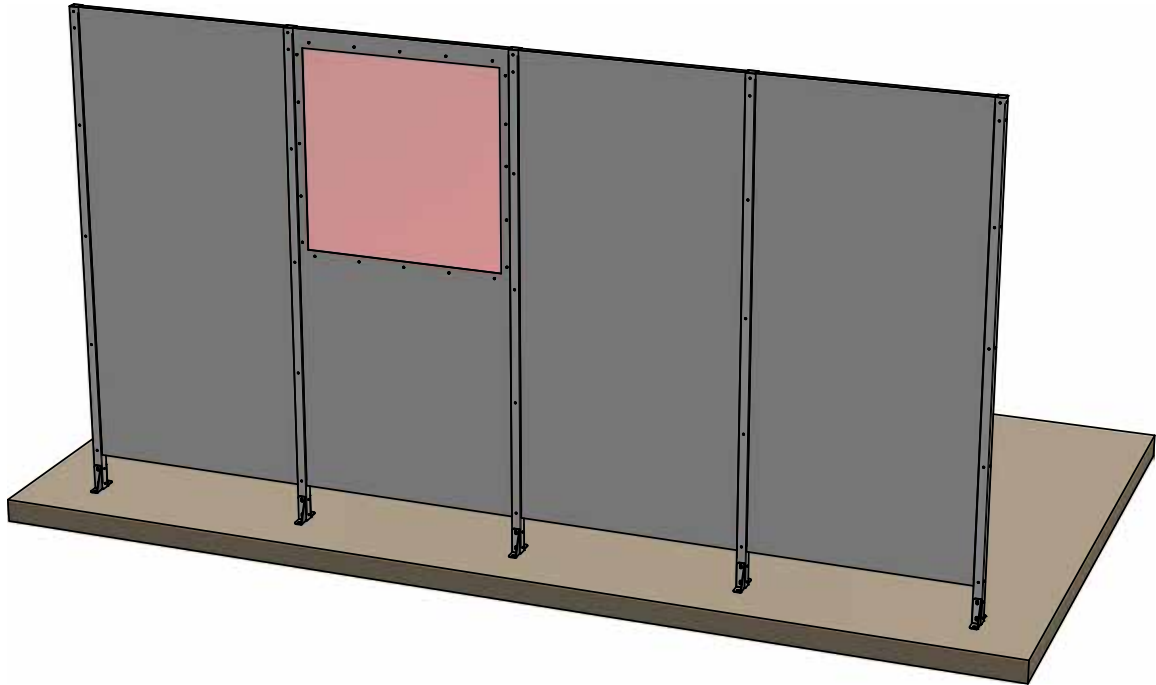
Version 001 - Check our website for the latest version.

CEPRO_PFS_metal_sheet_separations_2EN

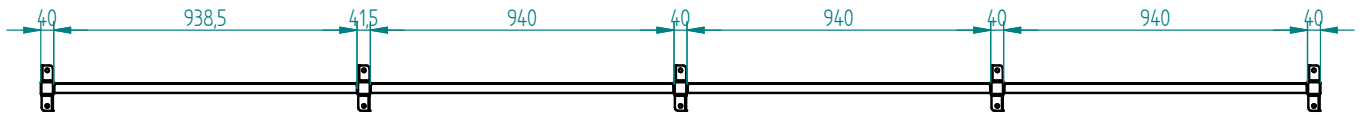
CEPRO DIAMOND SHEET WALL SYSTEM



EXAMPLE STRAIGHT WALL WITH DIAMOND PLATE WALL ELEMENTS



Front view

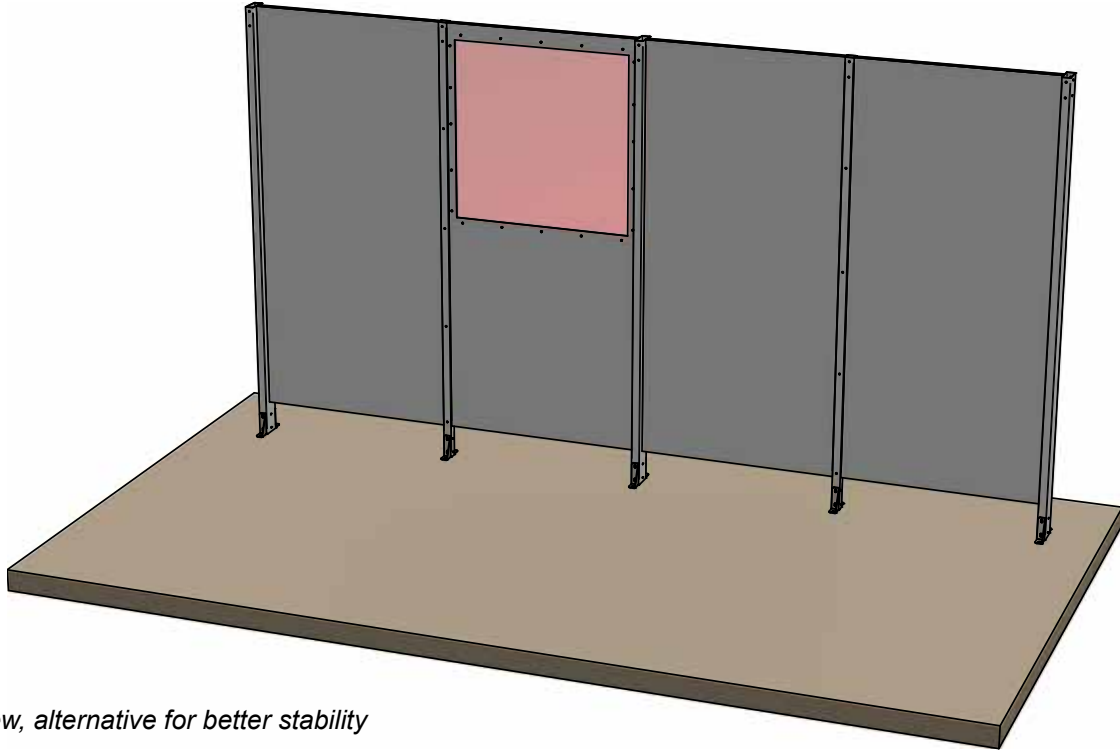


Top view

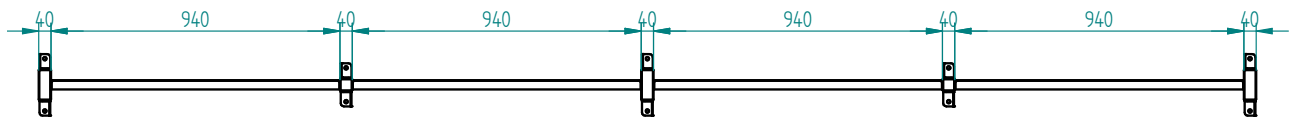
CEPRO DIAMOND SHEET WALL SYSTEM



EXAMPLE STRAIGHT WALL WITH DIAMOND PLATE WALL ELEMENTS



Front view, alternative for better stability

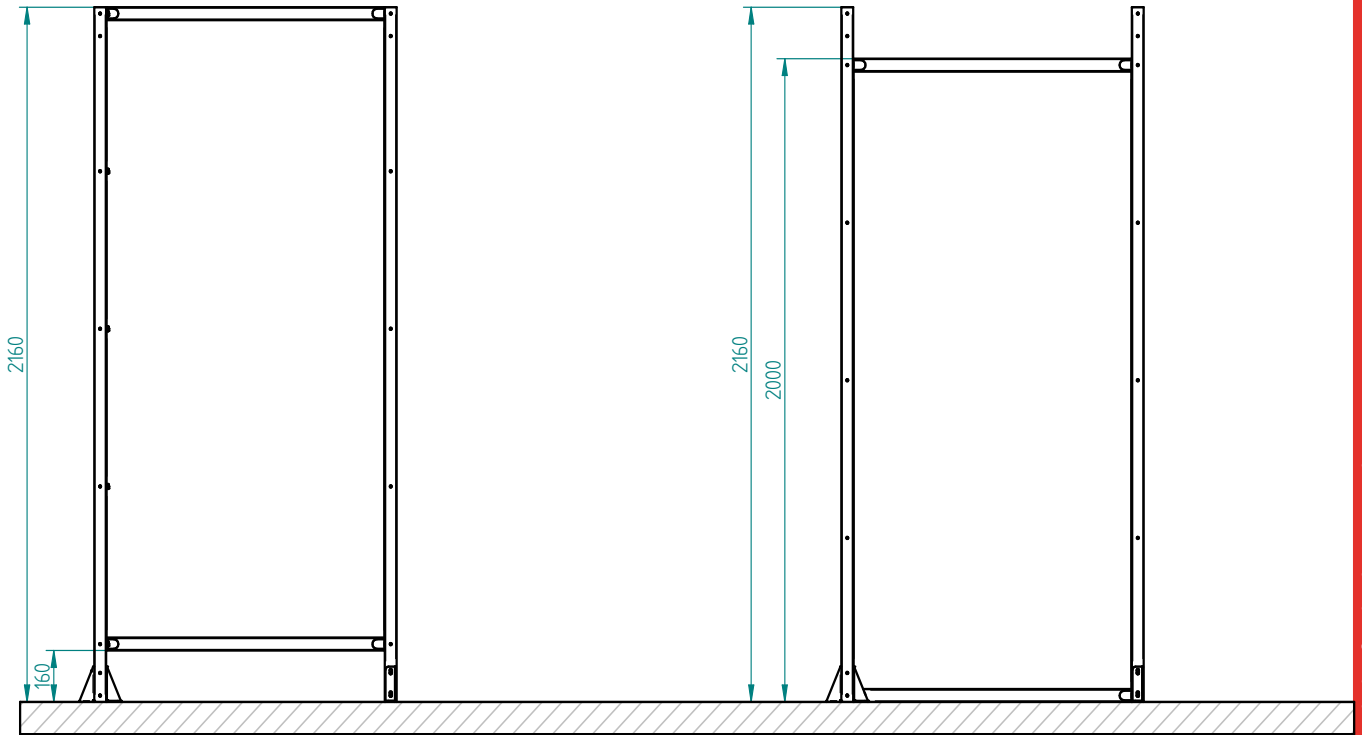


Top view, alternative for better stability

CEPRO DIAMOND SHEET WALL SYSTEM



EXAMPLE LINE-UP DIAMOND PLATE ELEMENTS WITHOUT CLEARANCE



Front view

Version 001 - Check our website for the latest version.

CEPRO_PFS_metal_sheet_separations_2EN

CEPRO DIAMOND SHEET WALL SYSTEM



MOUNTING DIAMOND PLATE WALL SYSTEM

