

# Construction





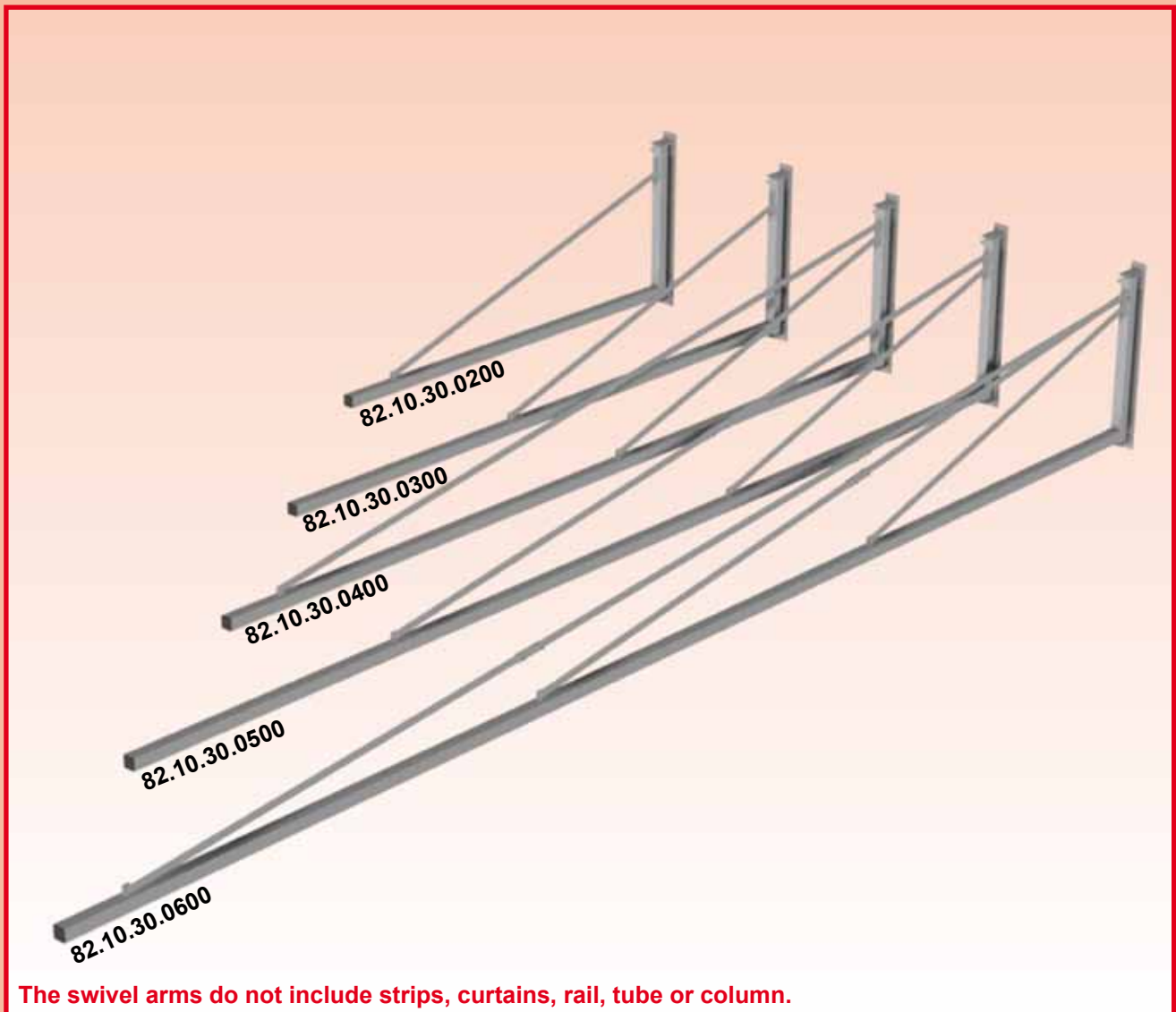
<b>Swivel arms</b>	<b>23</b>
<b>Columns / poles</b>	<b>25</b>
<b>Mounting supports</b>	<b>26</b>
<b>Rail system</b>	<b>27</b>
<b>Tube system</b>	<b>28</b>
<b>Cable reel</b>	<b>29</b>





## CONSTRUCTION - SWIVEL ARMS

For all swivel arms special conditions apply. The freight charges are being calculated and invoiced separately on each order.



**The swivel arms do not include strips, curtains, rail, tube or column.**

Swivel arm, maximum length 3 meter, produced from a rectangular tube 50 x 50 mm. This product is finished with a grey (RAL 7035) powdercoating. The swivel arm is fitted with a mechanical hinge and an assembly plate for fixing the arm against a wall or column.

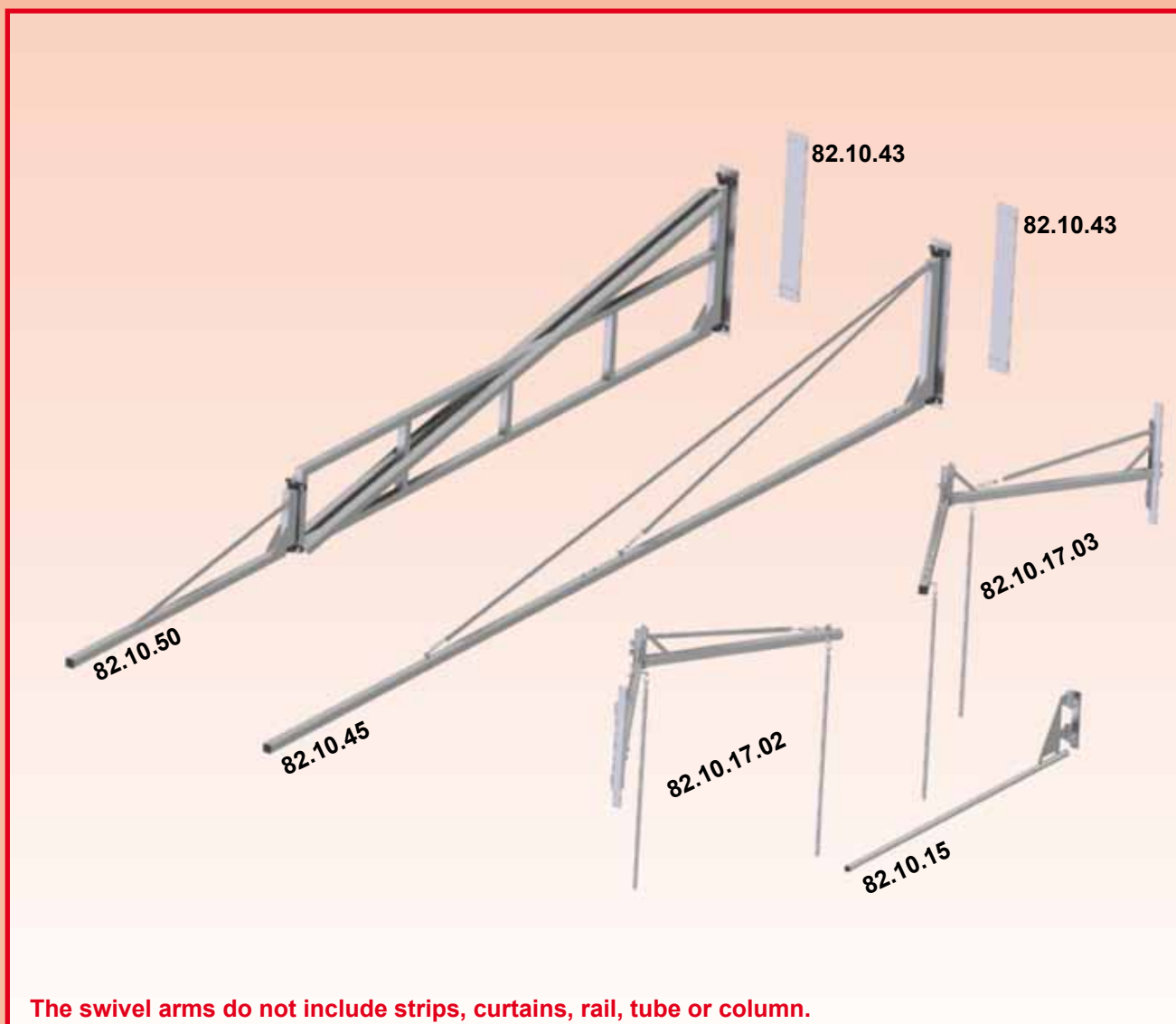
Swivel arm length 200 cm	82.10.30.0200
Swivel arm length 300 cm	82.10.30.0300
Swivel arm length 400 cm	82.10.30.0400
Swivel arm length 500 cm	82.10.30.0500
Swivel arm length 600 cm	82.10.30.0600

For special supports for fixing tube or rail under a swivel arm please see page 26.



## CONSTRUCTION - SWIVEL ARMS

For all swivel arms special conditions apply. The freight charges are being calculated and invoiced separately on each order.



**The swivel arms do not include strips, curtains, rail, tube or column.**

Swivel arm, 6 meter (4 + 2 meters), made with a double girder 50 x 50 mm. This swivel arm is fitted with two hinges each fitted with bearings. For fixing the arm against a wall a special assembly plate should be ordered separately; no. 82.10.43. 82.10.50

Swivel arm, maximum length 6 meter, girder made from rectangular tube 50 x 50 mm. This arm is fitted with a hinge with bearings and an adjustable brake. For fixing the arm against a wall a special assembly plate should be ordered separately; no. 82.10.43. 82.10.45

Swivel arm jointed, maximum 300 cm, with 2 hinges, fully foldable. The swivel arm is fitted with two bolts to lock the arm in an open position. The arm is finished in a grey powdercoating RAL 7035. This swivel arm can be fitted with all kinds of welding curtains or welding strips and is fitted with special iron rods for opening and closing

Swivel arm left turning 82.10.17.02

Swivel arm right turning 82.10.17.03

Swivel arm, maximum length 2 meter, produced from a tube of Ø 35 mm. This product is finished with a grey (RAL 7035) powdercoating. Fitted with a mechanical hinge and an assembly plate for fixing the arm against a wall or column. 82.10.15

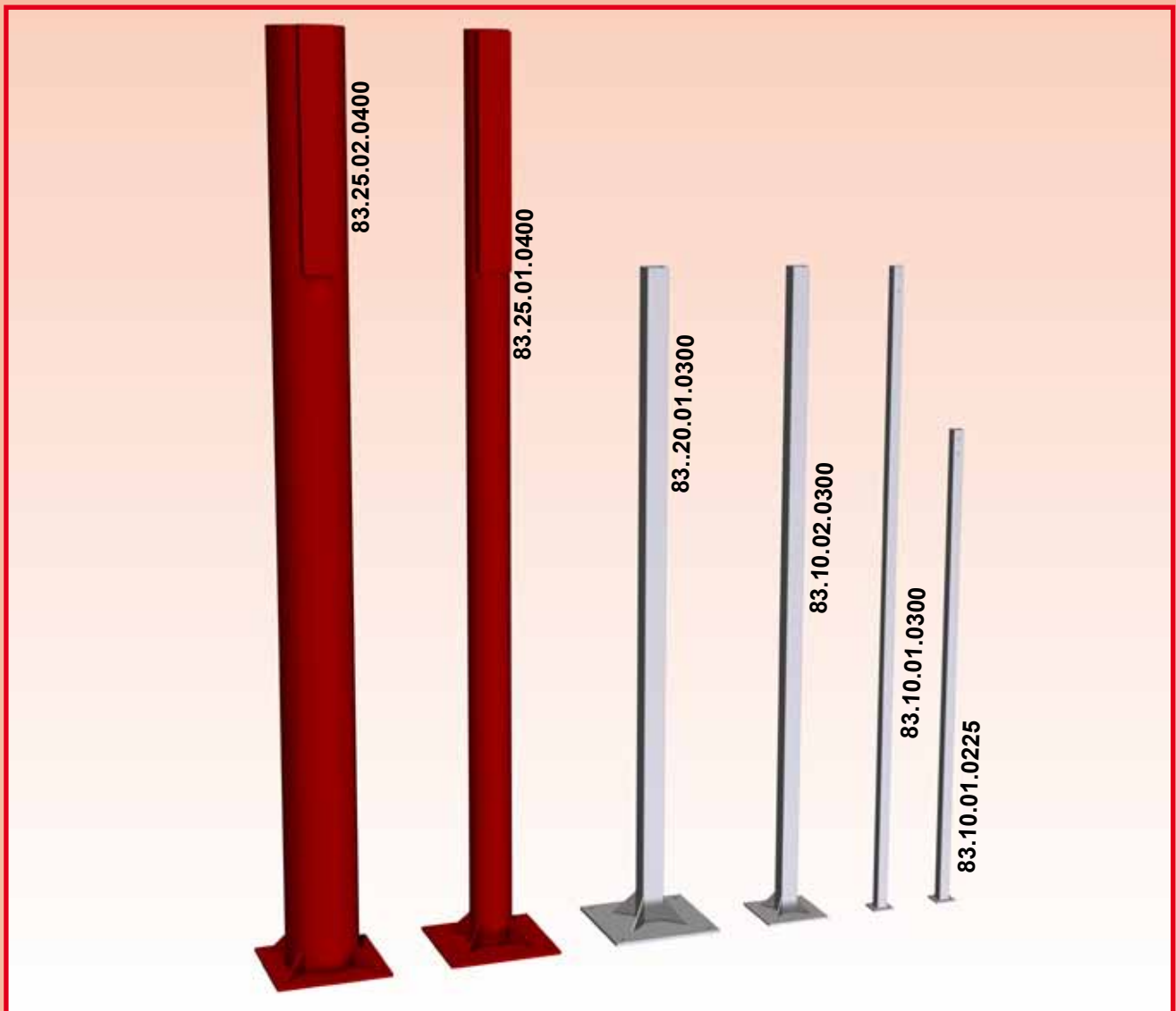
Assembly plate for swivel arm 82.10.50 or 82.10.45 82.10.43

For special supports for fixing tube or rail under a swivel arm please see page 26.



## CONSTRUCTION - COLUMNS & POLES

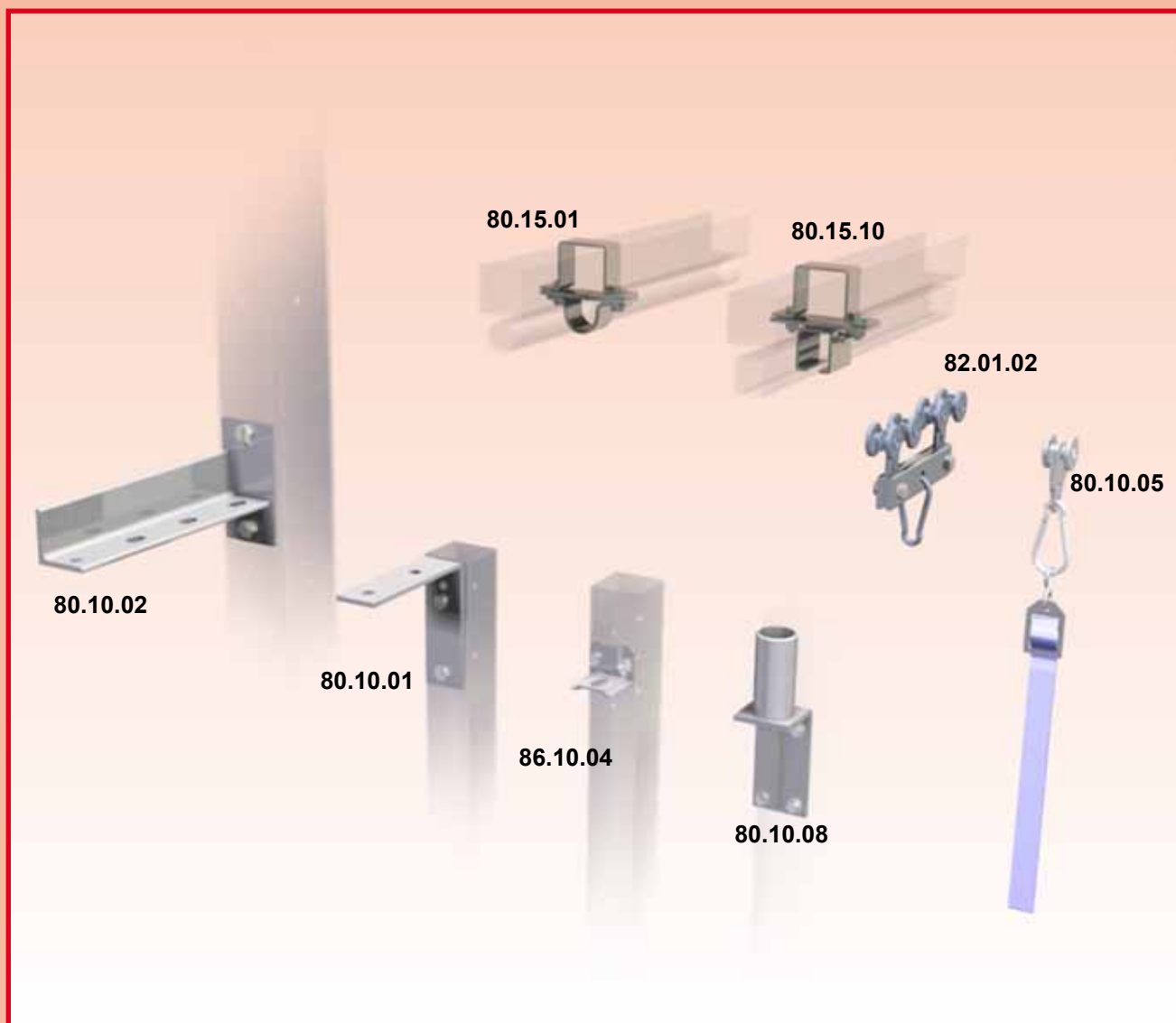
For all columns and poles special conditions apply. The freight charges are being calculated and invoiced separately on each order.



Column, height 4.000 mm, made from round pipe Ø 323 mm x 6 mm. Equipped with a footplate 500 x 500 x 15 mm. Finished in red-lead	83.25.02.0400
Column, height 4.000 mm, made from round pipe Ø 193,7 mm x 6,3 mm. Equipped with a footplate 500 x 500 x 15 mm. Finished in red-lead.	83.25.01.0400
Pole, height 300 cm, with a steel pole 100 x 100 x 4 mm and a footplate 500 x 500 x 15 mm.	83.20.01.0300
Pole, height 300 cm, with a steel pole 80 x 80 x 3 mm and a footplate 300 x 300 x 10 mm.	83.10.02.0300
Pole, height 300 cm, with a steel pole 50 x 50 x 2 mm and a footplate 110 x 110 x 8 mm.	83.10.01.0300
Pole, height 225 cm, with a steel pole 50 x 50 x 2 mm and a footplate 110 x 110 x 8 mm.	83.10.01.0225



## CONSTRUCTION - MOUNTING SUPPORTS

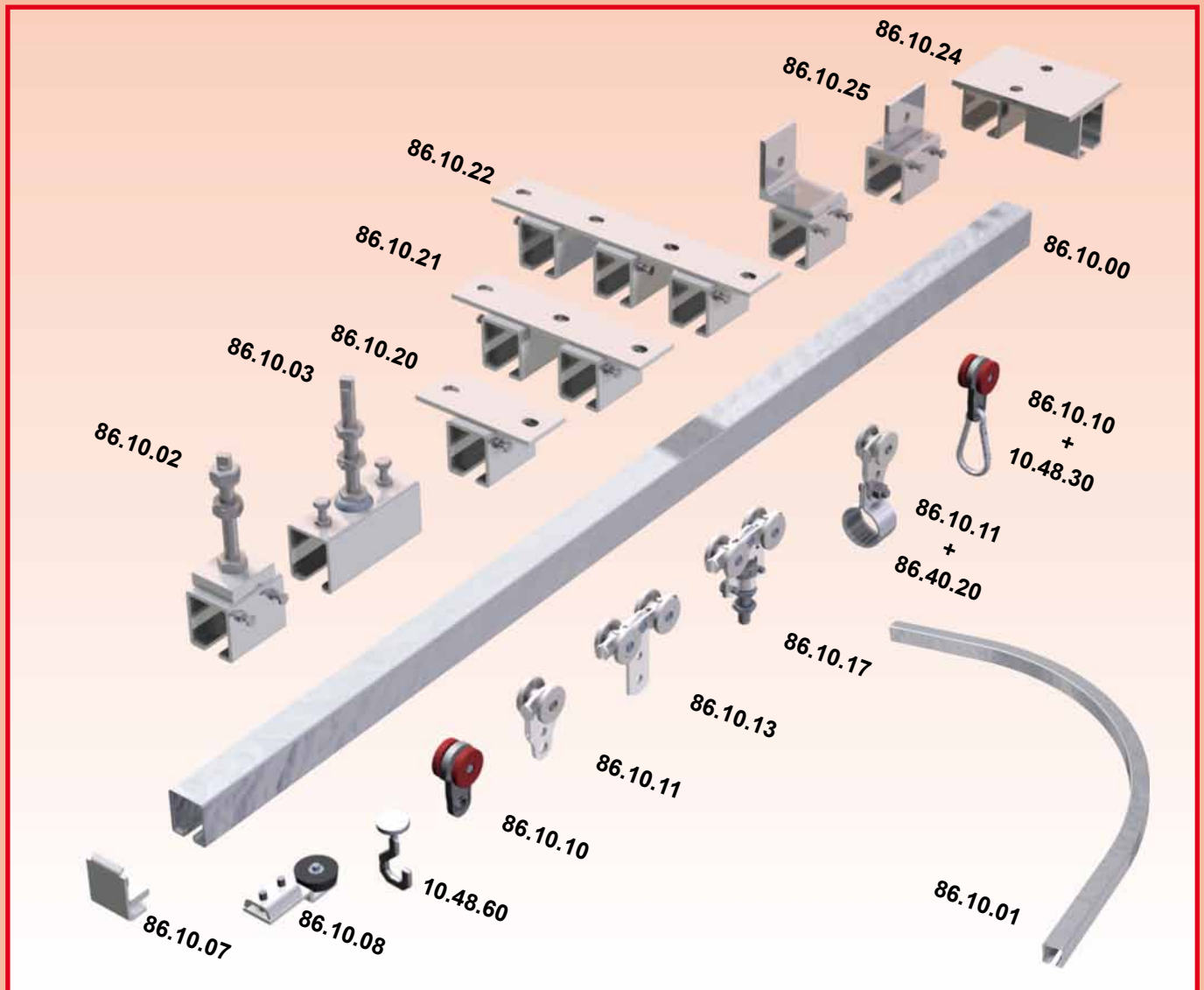


Standard set for fixing a tube Ø 33,7mm under a swivel arm	80.15.01
Standard set for fitting rail 30 x 35 mm under a swivel arm	80.15.10
Tag with swivel for fitting hoses into rail system	80.10.05
Set for fitting wire-box under a swivel arm, incl. runners, heavy-duty hook and chain with grip	82.01.02
Heavy duty side wall support for connecting a double rail or pipe to a wall or pole	80.10.02
Side wall support for connecting a double rail or pipe to a wall or pole	80.10.01
Wall support for rail support parts 86.10.02 or 86.10.03	86.10.04
Wall hinge for Robusto and Omnium swivel arms	80.10.08

### Please notice ! Combination swivel arm and columns

Orders for swivel arms (for strips or curtains) which will be fixed onto one of the on page 25 mentioned columns, Cepro only supplies the combinations as mentioned below

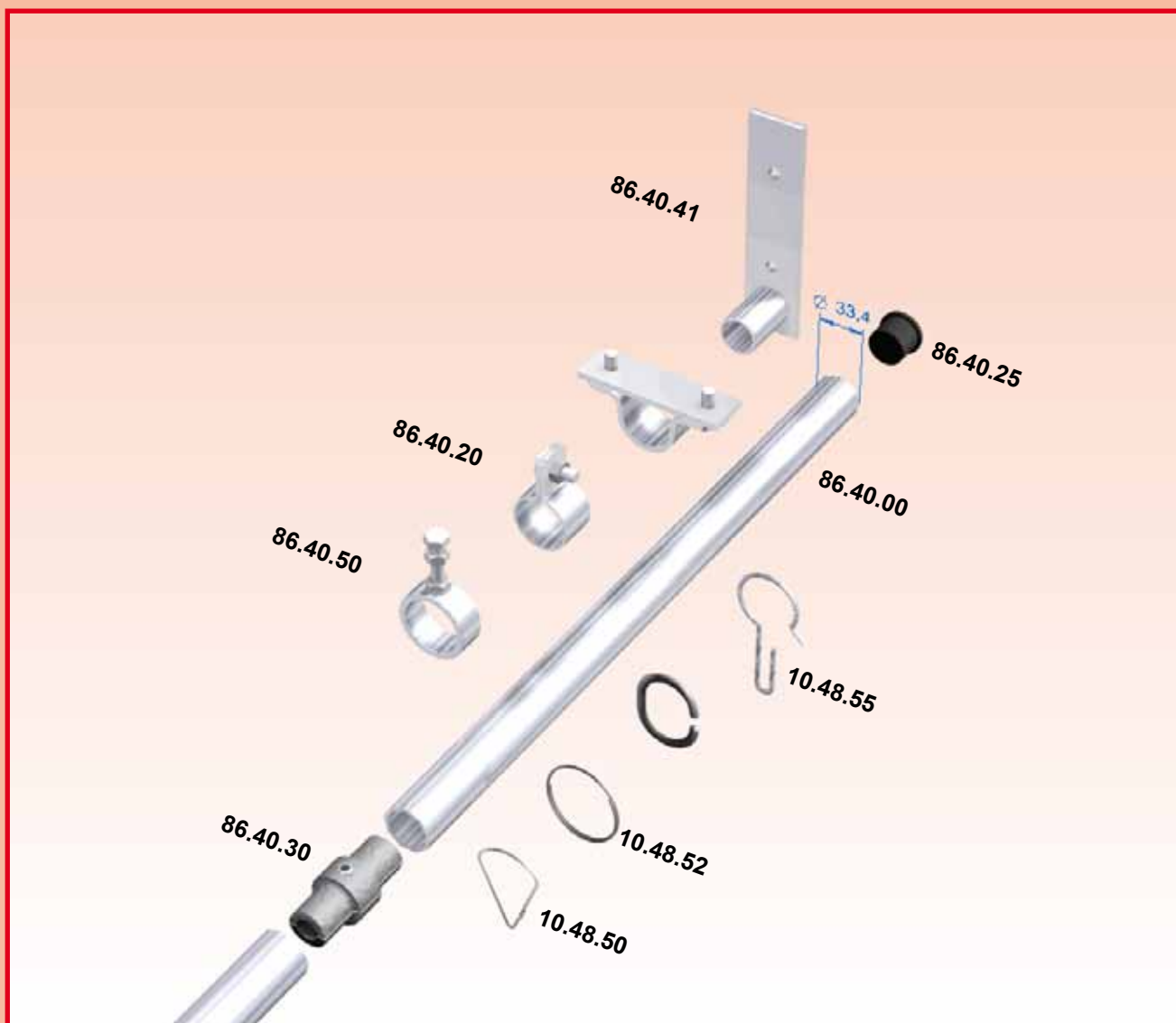
Swivel arm maximum length	Curtains max. height 250 cm	Curtains max. height 500 cm	Strips max. height 250 cm	Strips max. height 500 cm
2 meter	column 83.10.02.0300	column 83.10.02.0300	column 83.10.02.0300	column 83.20.01.0300
3 meter	column 83.10.02.0300	column 83.10.02.0300	column 83.20.01.0300	column 83.20.01.0300
4 meter	column 83.10.02.0300	column 83.20.01.0300	column 83.25.01.0400	column 83.25.01.0400
5 meter	column 83.20.01.0300	column 83.20.01.0300	column 83.25.01.0400	column 83.25.02.0400
6 meter	column 83.20.01.0300	column 83.20.01.0300	column 83.25.02.0400	column 83.25.02.0400



Rail support with long bolt M10 for rail 30 x 35 mm	86.10.02
Rail connector with long bolt M10. For rail 30 x 35 mm	86.10.03
Ceiling rail connector for single rail 30 x 35 mm	86.10.20
Ceiling rail connector for double rail 30 x 35 mm	86.10.21
Ceiling rail connector for triple rail 30 x 35 mm	86.10.22
Wall rail connector for rail 30 x 35 mm	86.10.15
Rail support	86.10.25
Ceiling rail connector for 90° connection of single rail 30 x 35 mm	86.10.24
Rail 30 x 35 mm per m <sup>1</sup> maximum length 4 meter	86.10.00
Two wheel runner	86.10.10
Snaphook metal	10.48.30
Two wheel runner metal	86.10.11
Pipe clamp, for pipe Ø 33,7 mm	86.40.20
Four wheel runner metal, with turnable thread piece M10 for rail 30 x 35 mm	86.10.17
Four wheel runner metal, for rail 30 x 35 mm	86.10.13
Two wheel runner metal	86.10.11
Two wheel runner	86.10.10
Slide hook plastic, for fixing a curtain into a rail 30 x 35 mm	10.48.60
Railstop with buffer for rail 30 x 35 mm	86.10.08
Endpiece for rail 30 x 35 mm	86.10.07
Rail 90° elbow, radius, for rail 30 x 35 mm	86.10.01



## CONSTRUCTION - TUBE SYSTEM



Pipe connector for pipe Ø 33,7 mm. Only suitable for use next to a support	86.40.30
Suspension ring, steel, for pipe max Ø 33,7 mm (packed per set of 7 pieces)	10.48.50.0007
Stainless steel suspension ring	10.48.52
Suspension ring, plastic, for pipe max Ø 33,7 mm	10.48.40
Suspension ring, metal, extra large for heavy duty purposes. For pipe max Ø 40 mm	10.48.55
Pipe support with bolt (M8 x 35) for pipe max Ø 33,7 mm	86.40.50
Pipe clamp, for pipe Ø 33,7 mm	86.40.20
Ceiling support, for connecting pipe max Ø 33,7 mm to the wall or ceiling	86.40.10
Flange, for connecting pipe Ø 33,7 mm, thickness 2,9 mm to a wall or column	86.40.41
Pipe Ø 33,7 mm, thickness 2,9 mm. Per running meter, maximum length 4 meter	86.40.00
End cap, for pipe Ø 33,7 mm, thickness 2,9 mm.	86.40.25

# Cable reel



29 Cepro International B.V. - Catalogue 2010 - [www.cepro.eu](http://www.cepro.eu)



A cable reel is ideal for screening off a workplace while at same time allowing fast and easy access.

The spring recoiled wire with a length of up to 8.00 meters is easily pulled out of the drum to be attached to the tensioning device opposite on the other side. Curtains (max. drop is 2.00 meters) can be hung on the stretched cable. These can be easily shoved aside, after which the wire can be retracted and the cable drum swung aside to allow easy access to the welding area.



## CABLE REEL

Cable length 8 meter, thickness 3 mm. **Excluding curtain.**

82.20.10

Suspension hook for cable reel

10.48.52

## CEPRO WELDING CURTAINS

Dimensions	Cepro-Orange-CE	Cepro-Green-9	Cepro-Green-6	Cepro-Bronze-CE
H. 160 cm x 140 cm	16.15.16	16.19.16	16.16.16	16.17.16
H. 180 cm x 140 cm	16.15.18	16.19.18	16.16.18	16.17.18
H. 200 cm x 140 cm	16.15.20	16.19.20	16.16.20	16.17.20

## CEPRO CLEAR GRINDING CURTAIN, GLASSCLEAR TRANSPARENT

H. 160 cm x 140 cm	16.10.16
H. 180 cm x 140 cm	16.10.18
H. 200 cm x 140 cm	16.10.20

## CEPRO YELLOW UV-CURTAINS, ONLY PROTECT AGAINST UV-RADIATION !

H. 160 cm x 140 cm	16.11.16
H. 180 cm x 140 cm	16.11.18
H. 200 cm x 140 cm	16.11.20



## OVERHEAD ROLLER SYSTEM

If you would like to have more information on this system (as shown above), please contact our sales department.